



better together

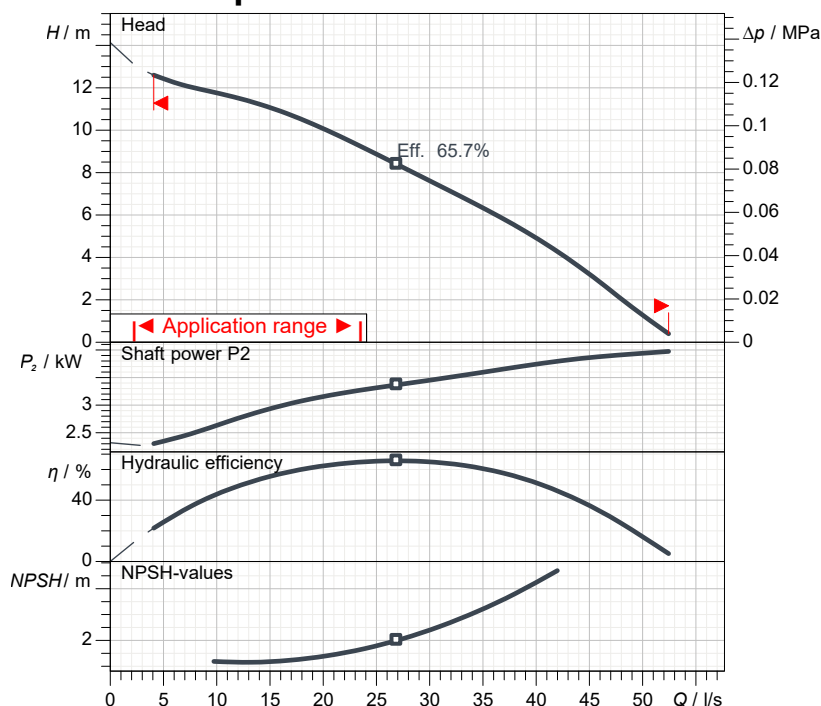
Data sheet DRG 550/4/80 D0FT5



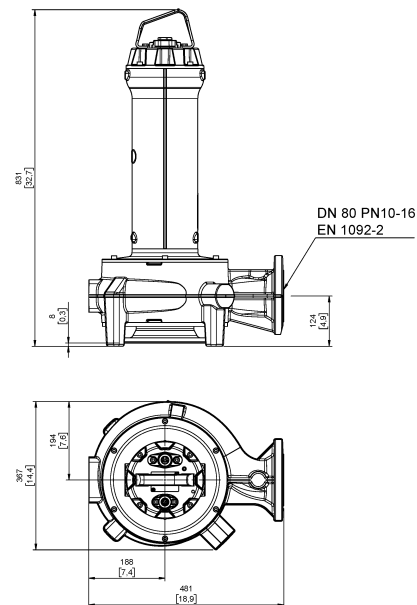
GREY
series

Technical specification

3~ 50 Hz



Characteristic curves according to UNI EN ISO 9906:2012
P₂<10kW: paragraph 4.4.2
10kW<P₂<100kW: Grade 3B
P₂>100kW: Grade 2B



[mm
inch]

Pump

Series	GREY series
Pump name	DRG 550/4/80 D0FT5
Configuration	NGTSB51040N00EX
Standard	ATEX 2014/34/EU

ATEX mark

II 2G
Ex db IIB T4 Gb
Ex h IIB T4 Gb

Certificate No. EPT 19 ATEX 3283 X issue 0

Motor data

Rated voltage	400 V
Frequency	50 Hz
Motor phases	3~
Number of poles	4
Rated power P ₂	4.00 kW
Incoming power P ₁	4.62 kW
Rated current	8.4 A
rpm	1433 1/min
Efficiency	86.6 %
cos φ	0.794
Rated torque	26.7 Nm
Start	Direct starting
Starting current	49.3 A
Degree of protection	IP 68
Insulation class	H
Capacitor	
Starting Capacitor	

Hydraulic

Free passage	65 x 60 mm
Impeller type	Open channel impeller
Max. hydraulic efficiency	65.7 %
Suction	DN 150 UNDRILLED
Discharge	DN 80 EN 1092-2

Operating limits (standard pumps)

Max. ambient temperature	40 °C
Max. density treated liquid	1100 kg/m ³
pH treated liquid	6 ÷ 14
Max. start per hour (equally distributed)	30
Wet/dry use	WET
Max. acoustic pressure level	70 dB
Operating mode	S1 - Continuous use

Construction materials

Case	Cast iron EN-GJL 250
Shaft	Stainless steel AISI 431
Hydraulic	Cast iron EN-GJL 250
Impeller	Cast iron EN-GJL 250
Painting/Coating	Bi-epoxy 200 μm sea water
Screws	Stainless steel - Class A2-70
Gaskets	NBR

Construction features

Cooling system	No cooling jacket
Main cable	4G1,5 + 3x1
Cable length	10 mt
Mechanical seals	2 in silicon carbide (2SiC)
Additional drilling	-
Weight*	110 kg
Electrical variant	Thermal protection and leakage sensor

* cable and fixing system excluded



better together

Data sheet DRG 550/4/80 D0FT5

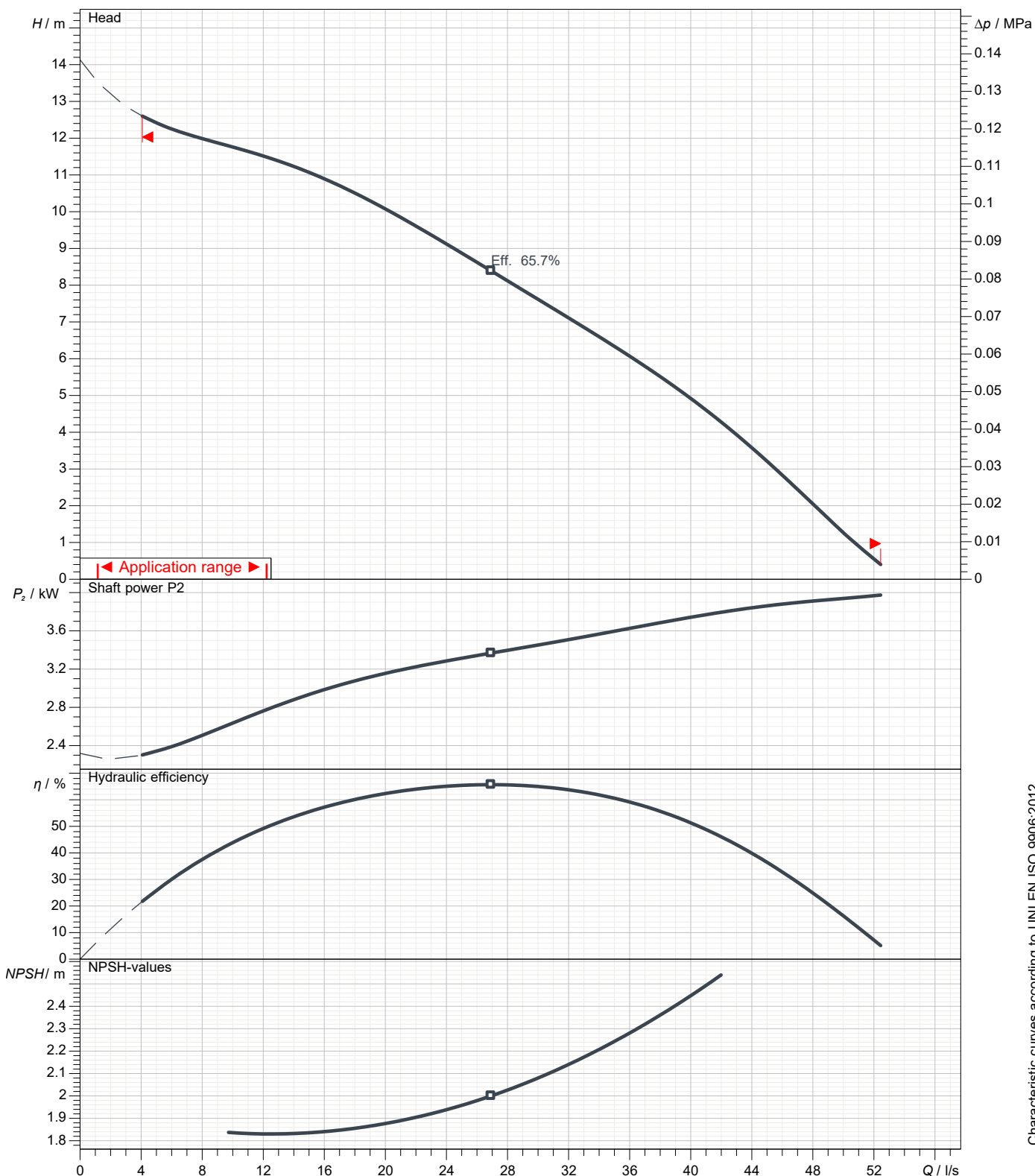


GREY
series

Pump performance curves

3~ 50 Hz

Impeller type Open channel impeller		Free passage 65 x 60 mm	Discharge DN 80	Suction DN 150	
DUTY POINT					
Flow	Head	Shaft power P2	Hydraulic efficiency	Density 998.3 kg/m ³	Viscosity 1.005 mm ² /s



Characteristic curves according to UNI EN ISO 9906:2012
 P2 < 10kW: paragraph 4.4.2
 10kW < P2 < 100kW: Grade 3B
 P2 > 100kW: Grade 2B



better together

Data sheet DRG 550/4/80 D0FT5

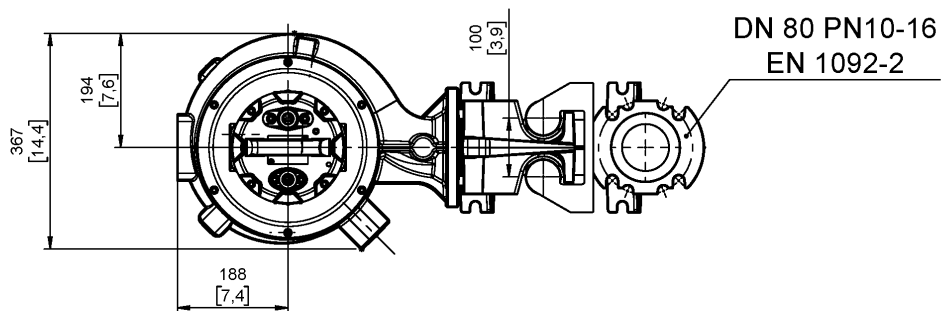
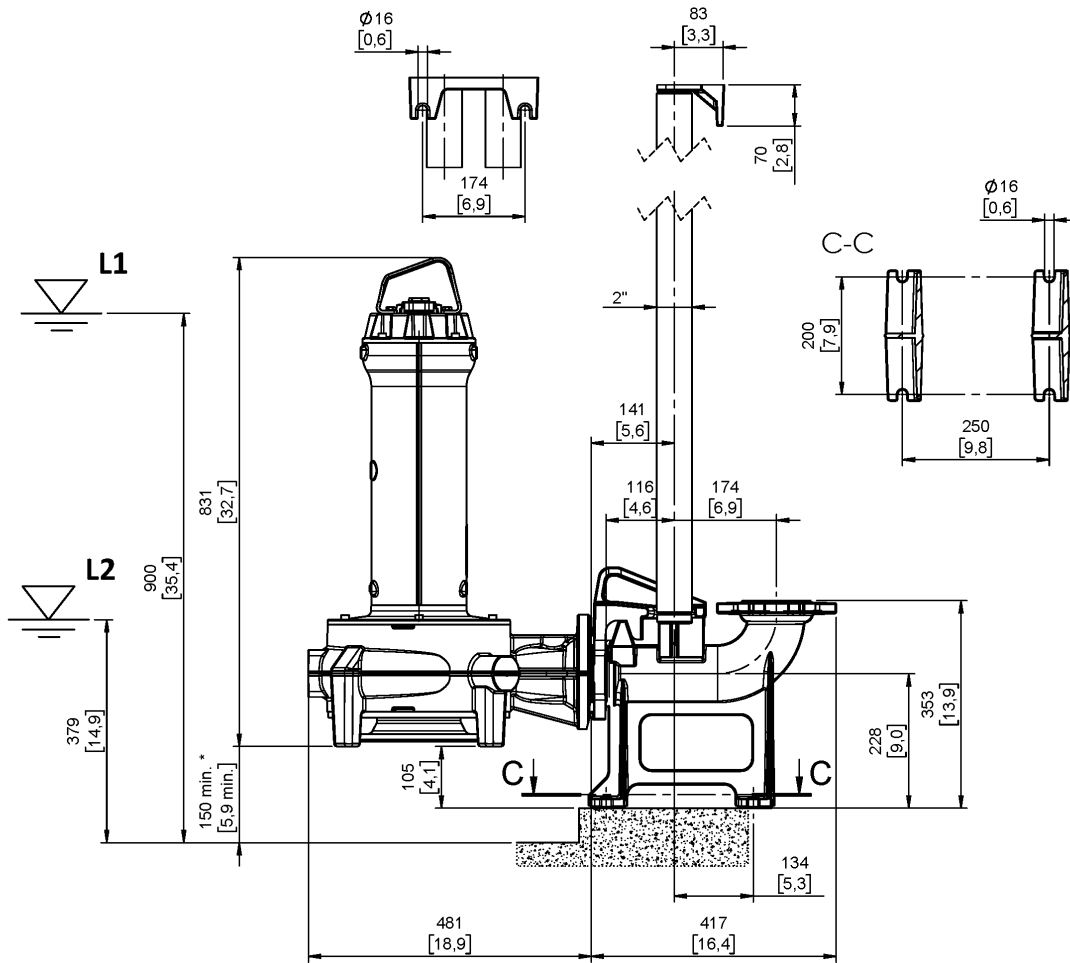


GREY
series

Dimensional drawing

3~ 50 Hz

Installation type Installation with bottom coupling device - Vertical outlet		
Wet/dry use WET	Drilling variant N	Flushing valve - drilling -
Discharge DN 80 EN 1092-2	Suction DN 150 UNDRILLED	Pressure rating (suction/discharge): -/PN 10
Accessory DAC 80/80V+KAF 116-2" EN (P)		Accessory code 9001.032
Note: Accessory must be ordered separately		



[mm]
[inch]

L1: Minimum operating level for continuous use

L2: Minimum operating level for discontinuous use (excluding -EX/FM models)