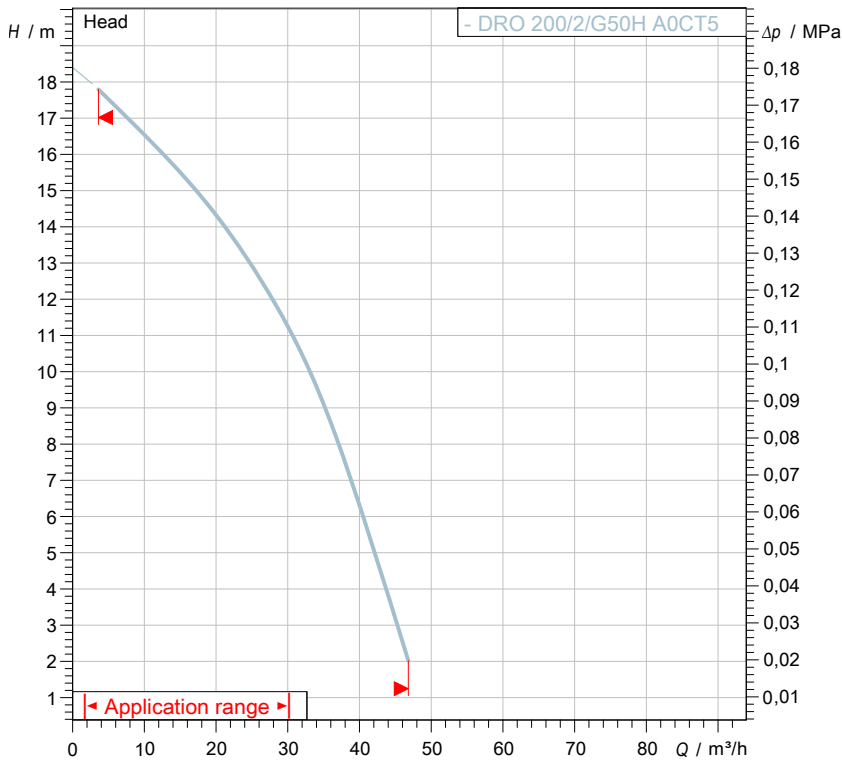
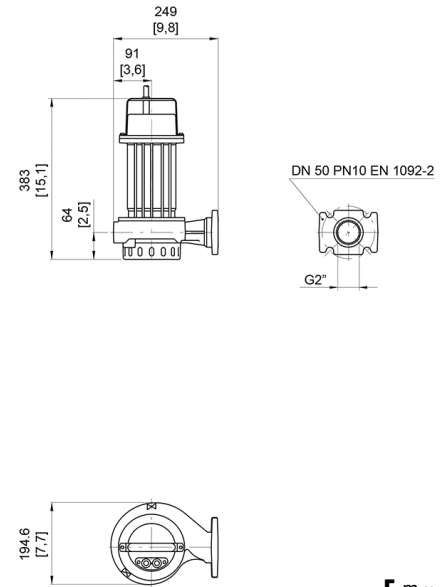


## Technical specification

1~ 50 Hz



Characteristic curves according to UNI EN ISO 9906:2012



### Pump

Series	O series
Pump name	DRO 200/2/G50H A0CT5
Configuration	NGTAB41023N00NN
Standard	EN 809:2009

### Motor data

Rated voltage	400 V
Frequency	50 Hz
Motor phases	3~
Number of poles	2
Rated power P2	1,5 kW
Incoming power P1	2,0 kW
Rated current	3,6 A
rpm	2740 1/min
Efficiency	68,0 %
cos φ	0,83
Rated torque	5,2 Nm
Start	
Degree of protection	IP 68
Insulation class	F

### Hydraulic

Type	DR (Multi-channel open)
Free passage	15 mm
Impeller type	Multi channel impeller
Discharge	G 2" -
Curve tolerance	UNI EN ISO 9906:2012

### Operating limits (standard pumps)

Max. ambient temperature	40 °C
Max. density treated liquid	1 100 kg/m³
Max. immersion depth	20 m
pH treated liquid	6 ÷ 14
Max. start per hour (equally distributed)	30
Wet/dry use	WET
Max. acoustic pressure level	70 dB
Operating mode	S1 - Continuous use

### Construction materials

Case	Cast iron EN-GJL 250
Shaft	Stainless steel - AISI 420
Hydraulic	Cast iron EN-GJL 250
Impeller	Cast iron EN-GJL 250
Painting/Coating	Bi-epoxy 80 μm
Screws	Stainless steel - Class A2-70
Gaskets	NBR
Strainer	Stainless steel - AISI 304

### Construction features

Cooling system	No cooling jacket
Main cable	4 G1
Control cable	-
Cable length	10 mt
Mechanical seals	1 in silicon carbide (SiC) and 1 in carbon-aluminium oxide (AL)
Additional drilling	-
Weight*	21,5 kg
Electrical variant	Thermal protection

\* cable's weight not included

Rev. 0 - 16-12-2014



water solutions

Data sheet

# SAT 200/D-DRO 200/2/G50HA0CT5

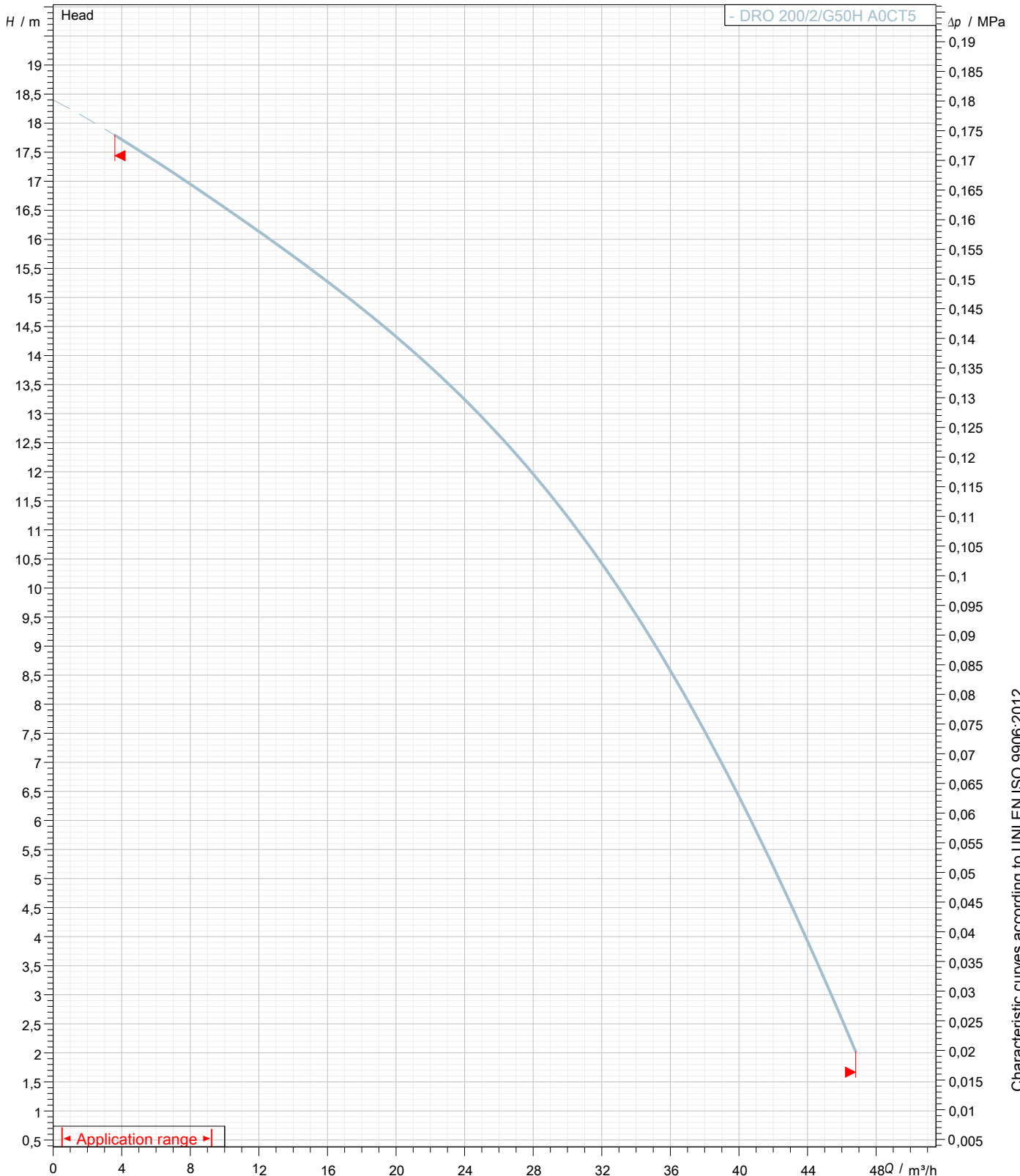


series

## Pump performance curves

1~ 50 Hz

Hydraulic type DR (Multi-channel open)	Impeller type Multi channel impeller	Free passage 15 mm	Discharge G 2"	Suction -	
<b>DUTY POINT</b>					
Flow	Head	Shaft power P2	Hydraulic efficiency	Density 998,3 kg/m <sup>3</sup>	Viscosity 1,005 mm <sup>2</sup> /s



Characteristic curves according to UNI EN ISO 9906:2012