



better together

Data sheet

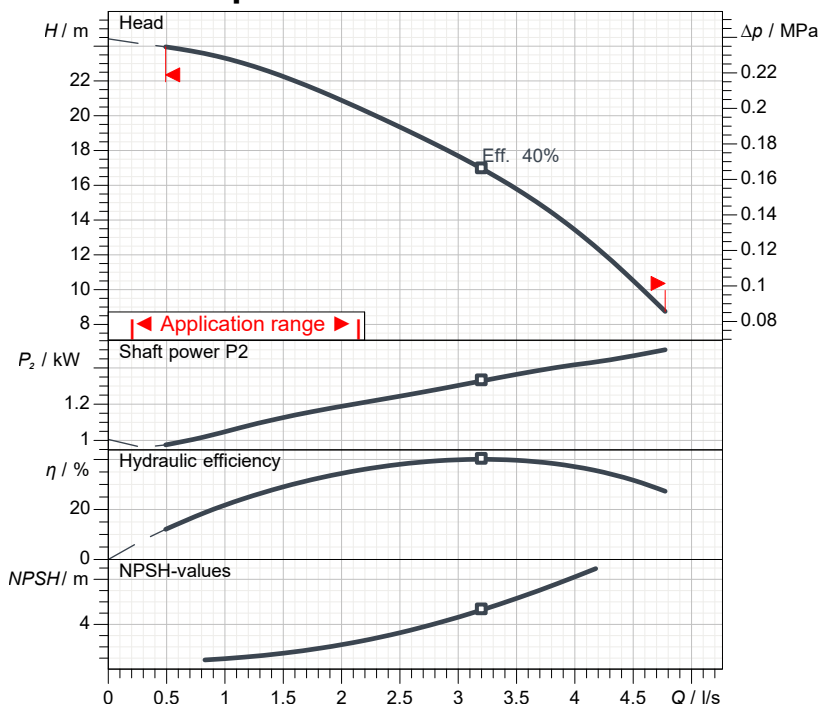
GRG 200/2/G40H B3AT5



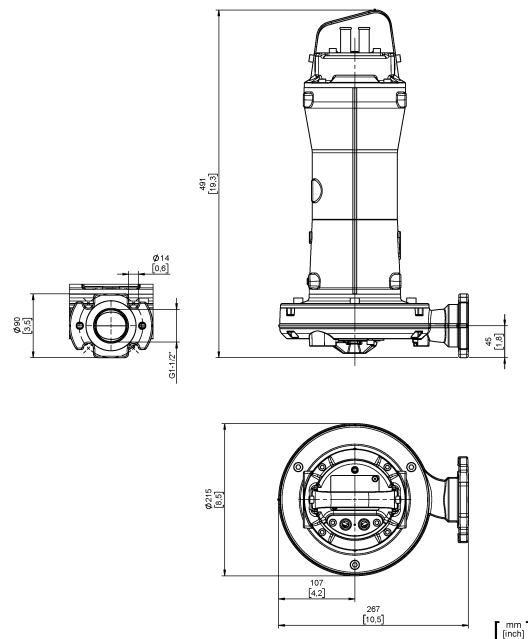
GREY series

## Technical specification

3~ 50 Hz



Characteristic curves according to UNI EN ISO 9906:2012  
P2 < 10kW: paragraph 4.4.2  
10kW < P2 < 100kW: Grade 3B  
P2 > 100kW: Grade 2B



### Pump

Series GREY series  
Pump name GRG 200/2/G40H B3AT5  
Configuration NGTSB51040N00EX  
Standard ATEX 2014/34/EU

### ATEX mark

II 2G  
Ex db IIB T4 Gb  
Ex h IIB T4 Gb

Certificate No. EPT 19 ATEX 3283 X issue 0

### Motor data

Rated voltage 400 V  
Frequency 50 Hz  
Motor phases 3~  
Number of poles 2  
Rated power P2 1.50 kW  
Incoming power P1 1.78 kW  
Rated current 3.3 A  
rpm 2824 1/min  
Efficiency 84.2 %  
cos φ 0.792  
Rated torque 5.1 Nm  
Start Direct starting  
Starting current 21.5 A  
Degree of protection IP 68  
Insulation class H  
Capacitor  
Starting Capacitor

### Hydraulic

Free passage 0 mm  
Impeller type Open channel impeller with grinder system  
Max. hydraulic efficiency 40.0 %  
Suction  
Discharge DN 32 - G 1"1/2 EN 1092-2

### Operating limits (standard pumps)

Max. ambient temperature 40 °C  
Max. density treated liquid 1100 kg/m<sup>3</sup>  
pH treated liquid 6 ÷ 14  
Max. start per hour (equally distributed) 30  
Wet/dry use WET  
Max. acoustic pressure level 70 dB  
Operating mode S1 - Continuous use

### Construction materials

Case Cast iron EN-GJL 250  
Shaft Stainless steel AISI 431  
Hydraulic Cast iron EN-GJL 250  
Impeller Cast iron EN-GJL 250  
Painting/Coating Bi-epoxy 200 μm sea water  
Screws Stainless steel - Class A2-70  
Gaskets NBR  
Cutter Chromium steel - X102 CrMo17 KU  
Cutting disk Chromium steel - X102 CrMo17 KU

### Construction features

Cooling system No cooling jacket  
Main cable 4G1,5 + 3x1  
Cable length 10 mt  
Mechanical seals 2 in silicon carbide (2SiC)  
Additional drilling -  
Weight\* 32 kg  
Electrical variant Thermal protection and leakage sensor

\* cable and fixing system excluded



better together

# Data sheet GRG 200/2/G40H B3AT5

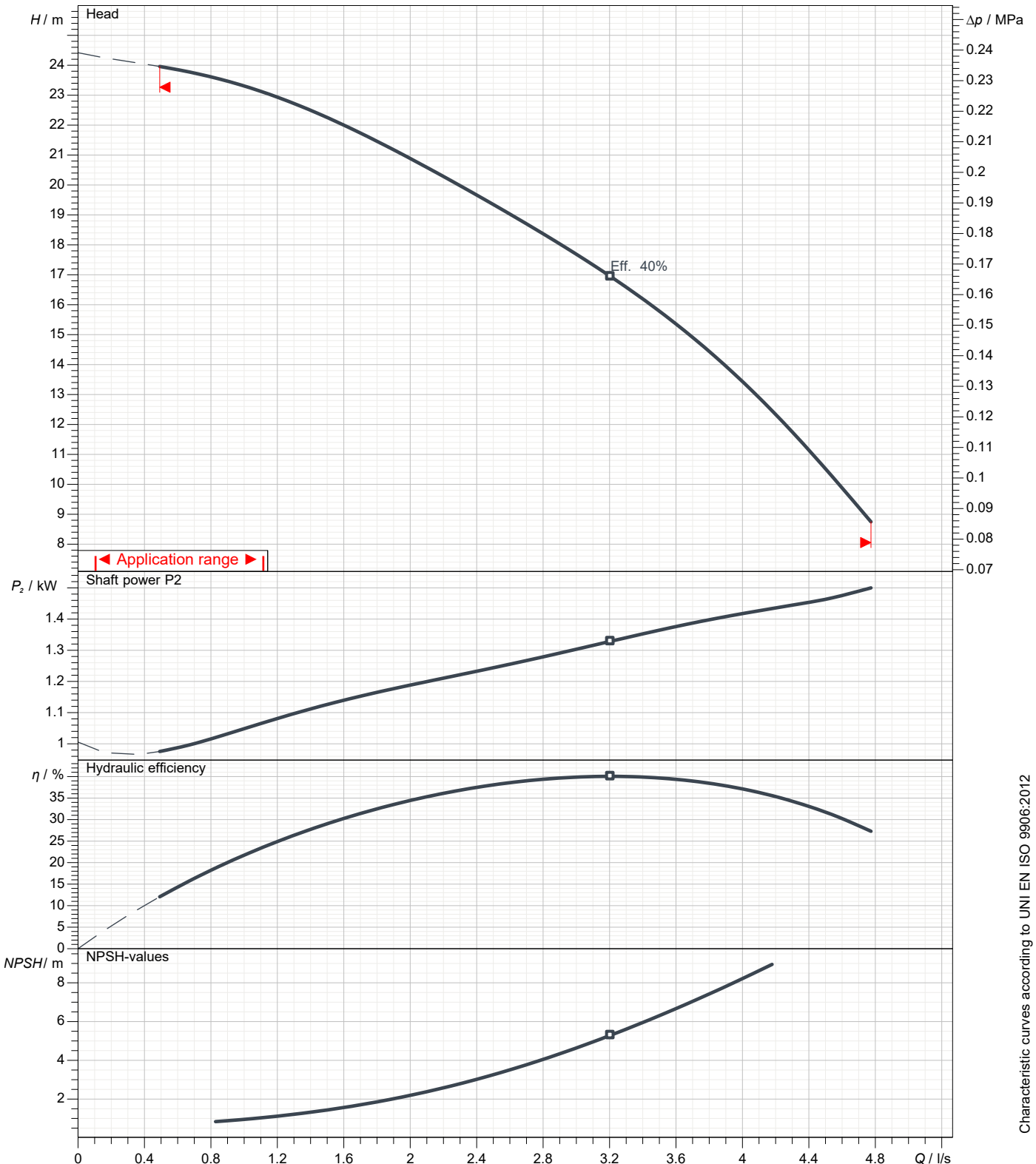


GREY  
series

## Pump performance curves

3~ 50 Hz

<b>Impeller type</b> Open channel impeller with grinder system		<b>Free passage</b> 0 mm	<b>Discharge</b> DN 32 - G 1"1/2	<b>Suction</b>	
<b>DUTY POINT</b>					
<b>Flow</b>	<b>Head</b>	<b>Shaft power P2</b>	<b>Hydraulic efficiency</b>	<b>Density</b> 998.3 kg/m <sup>3</sup>	<b>Viscosity</b> 1.005 mm <sup>2</sup> /s



Characteristic curves according to UNI EN ISO 9906:2012  
 P2<10kW: paragraph 4.4.2  
 10kW<P2<100kW: Grade 3B  
 P2>100kW: Grade 2B



better together

Data sheet

GRG 200/2/G40H B3AT5

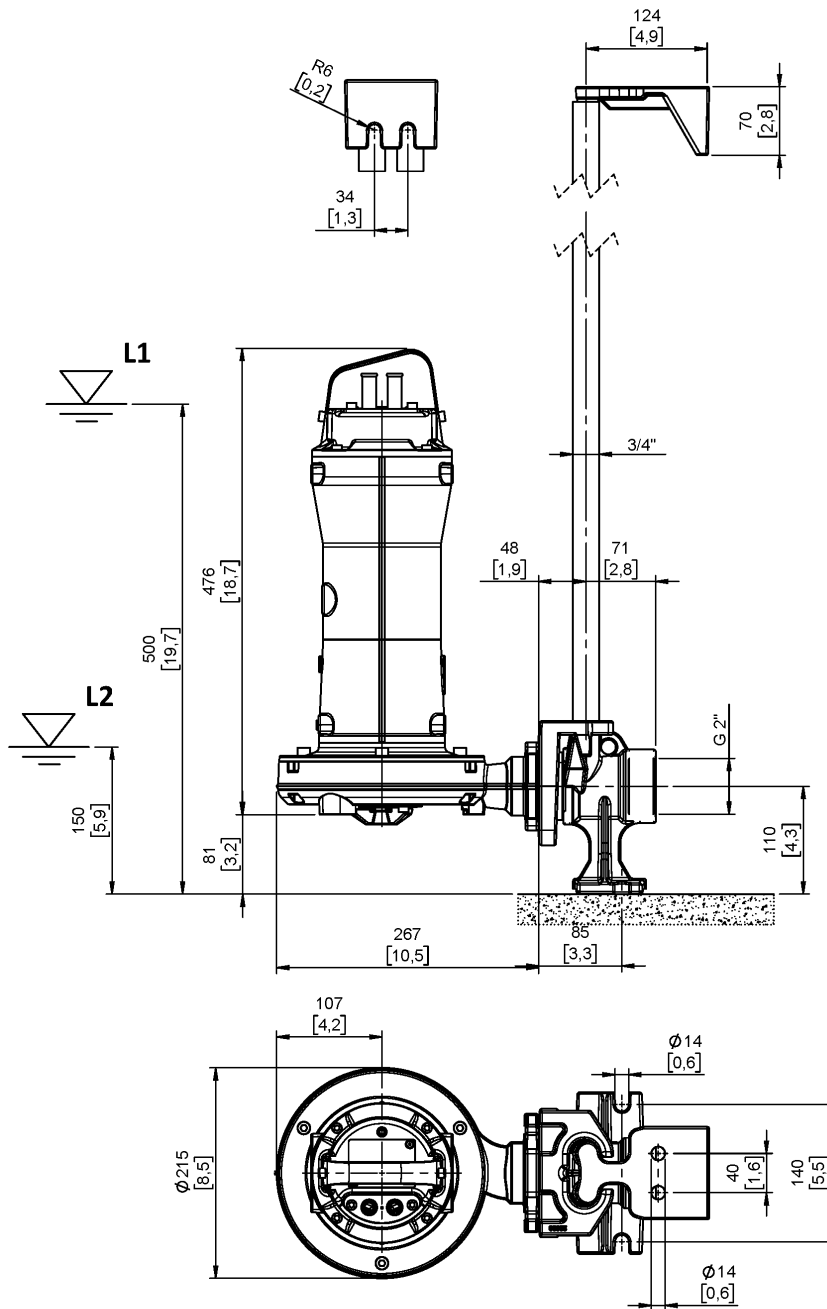


GREY series

### Dimensional drawing

3~ 50 Hz

<b>Installation type</b> Installation with bottom coupling device - Horizontal/vertical outlet		
<b>Wet/dry use</b> WET	<b>Drilling variant</b> N	<b>Flushing valve - drilling</b> -
<b>Discharge</b> DN 32 - G 1"1/2 EN 1092-2	<b>Suction</b>	<b>Pressure rating (suction/discharge):</b> PN 6
<b>Accessory</b> DAC 32-50/G50H-G50V+KAF 3/4" EN (P)		<b>Accessory code</b> 9028.010
<b>Note: Accessory must be ordered separately</b>		



[ mm  
[inch]

L1: Minimum operating level for continuous use

L2: Minimum operating level for discontinuous use (excluding -EX/FM models)